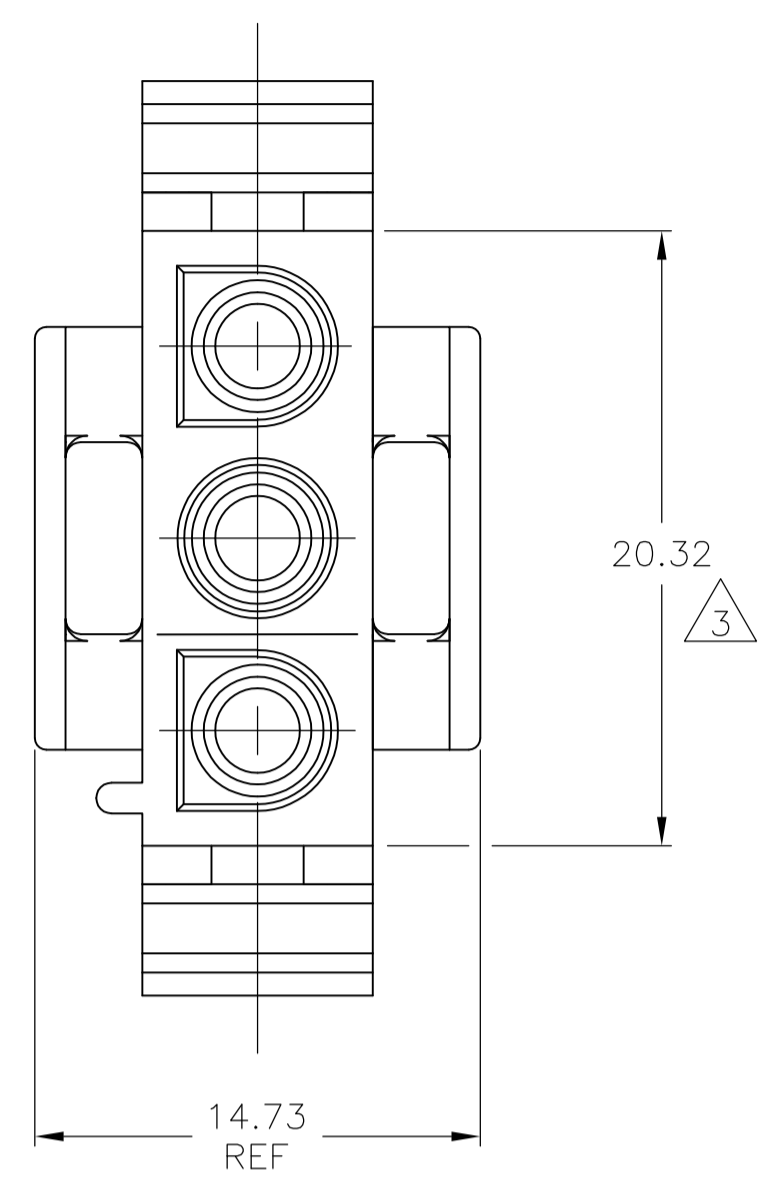
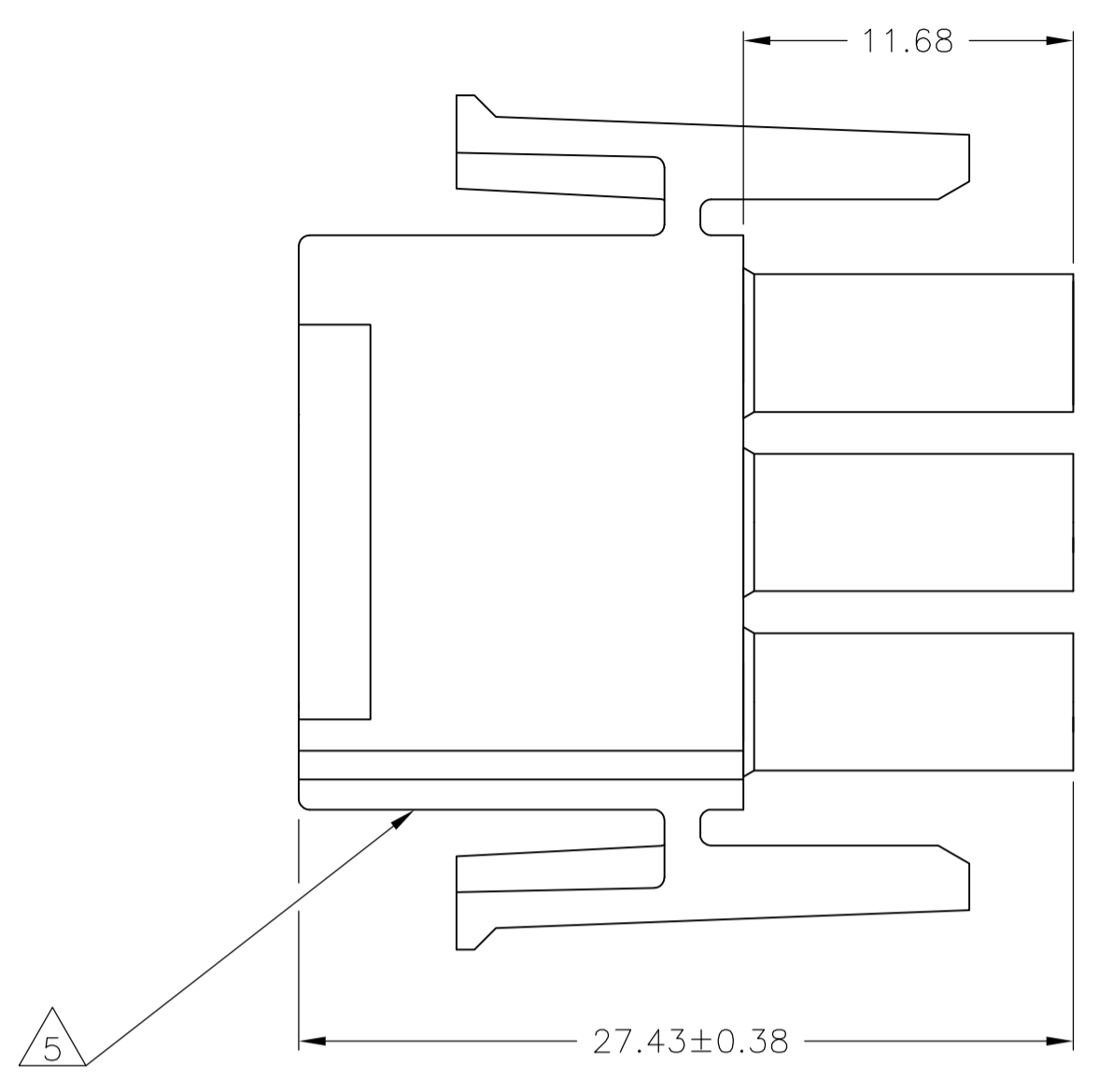
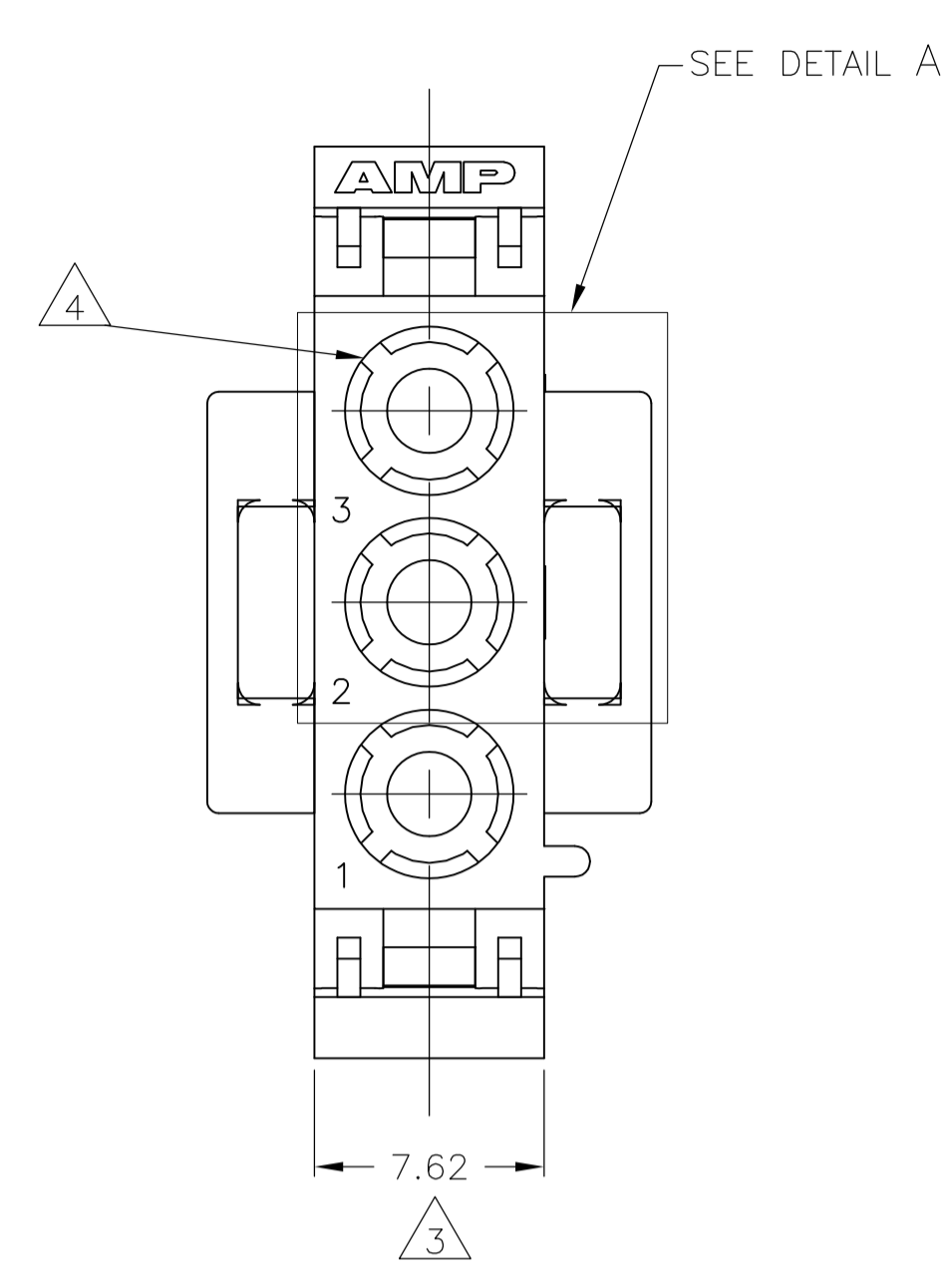
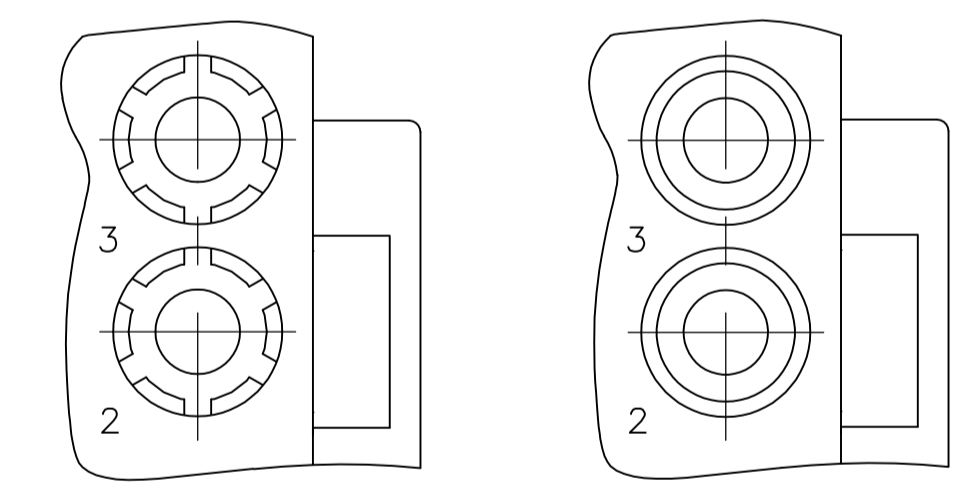
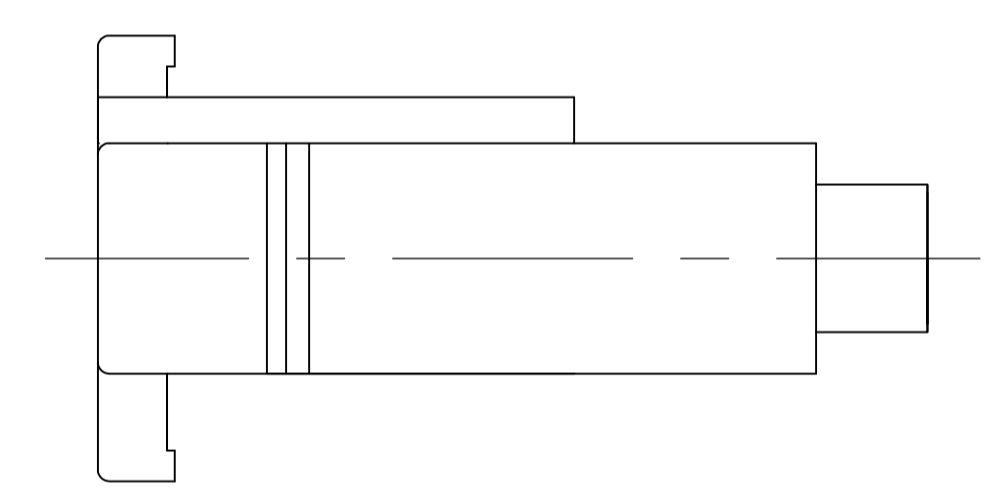


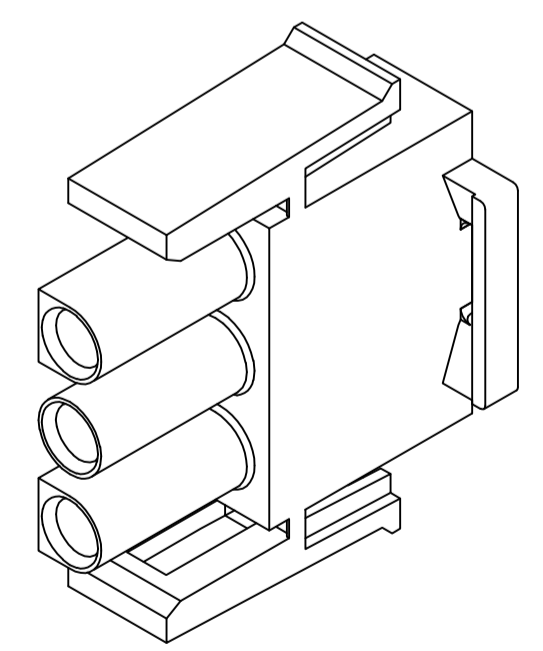
| LOC | DIST | REVISIONS | | | |
|-----|------|-------------|---------------------------|---------|--------|
| P | LTR | DESCRIPTION | DATE | DWN | APVD |
| CM | 53 | AR1 | REVISED PER ECO-11-004587 | 11MAR11 | RK HMR |



1. MATES WITH APPROPRIATE UNIVERSAL MATE-N-LOK™ CAP OR HEADER.
2. SMALL NICKS ARE PERMITTED ON THE CIRCUIT TOWERS WHICH COULD INCREASE THE INITIAL HOUSING MATING FORCE BY UP TO 4.4 NEWTONS [1.0 LBS]. NO INDIVIDUAL NICKED TOWER SHALL INCREASE THIS FORCE BY OVER 2.2 NEWTONS [.5 LBS].
3. DIMENSION INDICATED IS AS MOLDED. ADDITIONAL GROWTH DUE TO SUBSEQUENT MOISTURE ABSORPTION MAY OCCUR.
4. FOUR RIBS EQUALLY SPACED, NO SPECIFIC ORIENTATION. NO RIBS OR SIX RIBS EQUALLY SPACED, NO SPECIFIC ORIENTATION, OPTIONAL.
5. UNDERWRITERS RECOGNIZED COMPONENT LOGO AND CSA CERTIFICATION LOGO TO BE LOCATED ONCE EACH ON SIDE OF HOUSING.



DETAIL A
OPTIONAL CONSTRUCTION



3-DIMENSIONAL MODEL
NTS

| | |
|---------|-------------|
| BLACK | 1-480700-9 |
| GREY | 1-480700-8 |
| BLUE | 1-480700-6 |
| GREEN | 1-480700-5 |
| YELLOW | 1-480700-4 |
| ORANGE | 1-480700-3 |
| RED | 1-480700-2 |
| BROWN | 1-480700-1 |
| NATURAL | 1-480700-0 |
| COLOR | PART NUMBER |

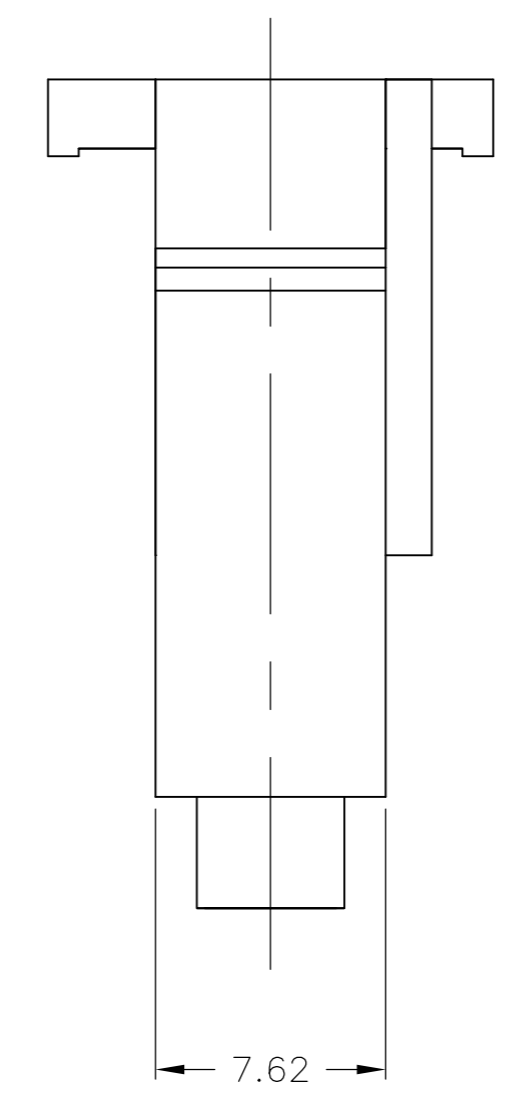
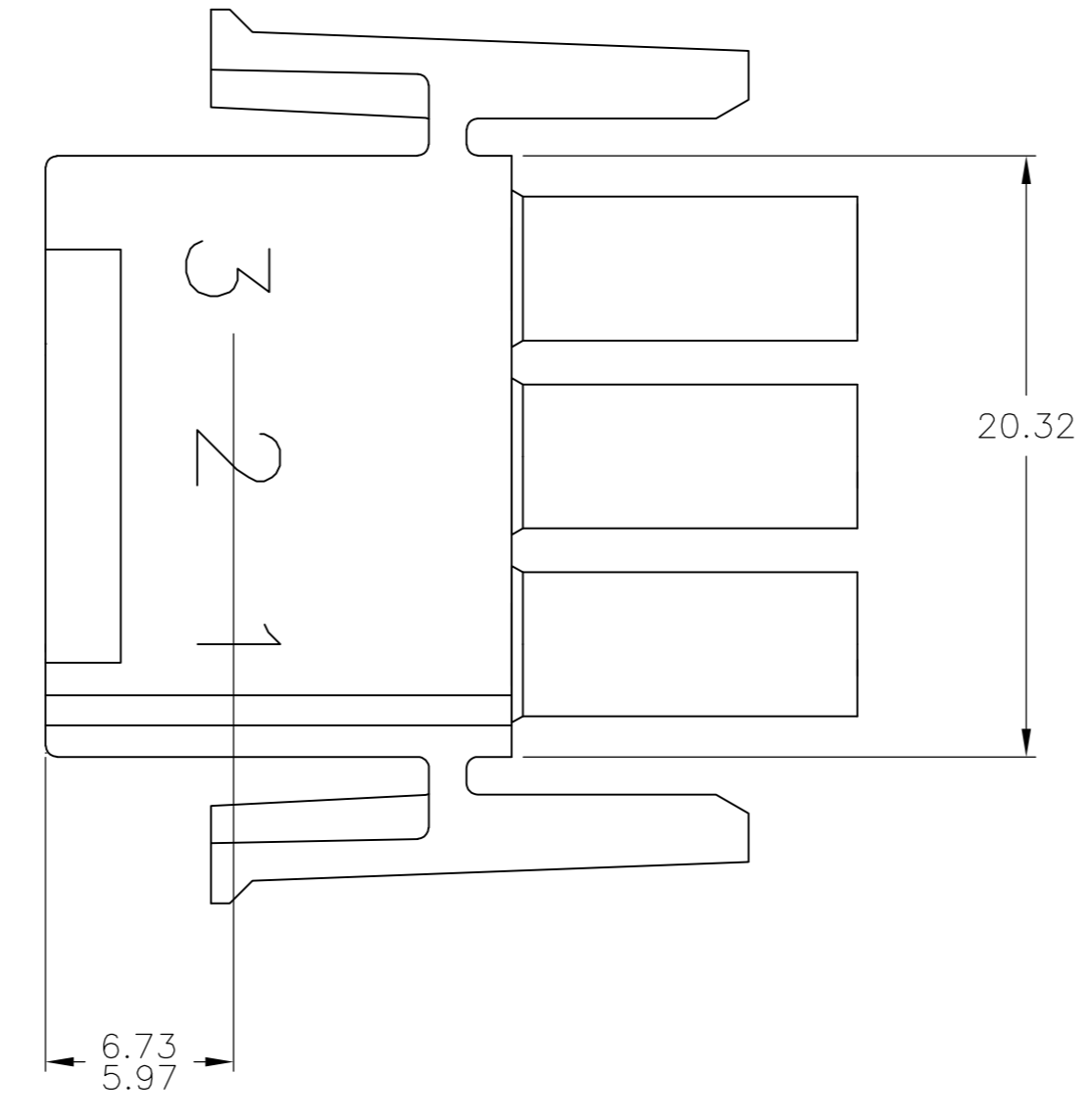
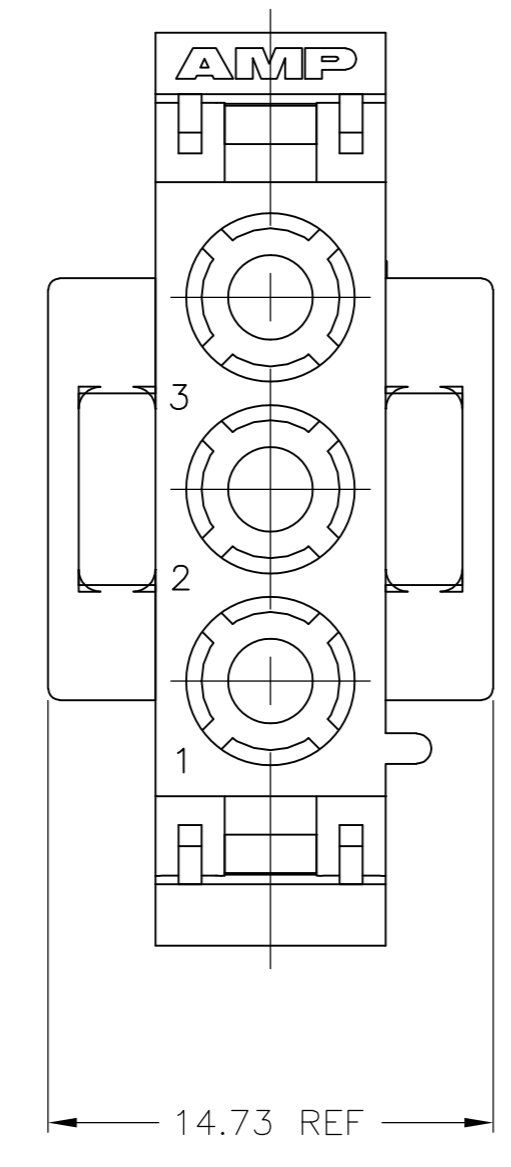
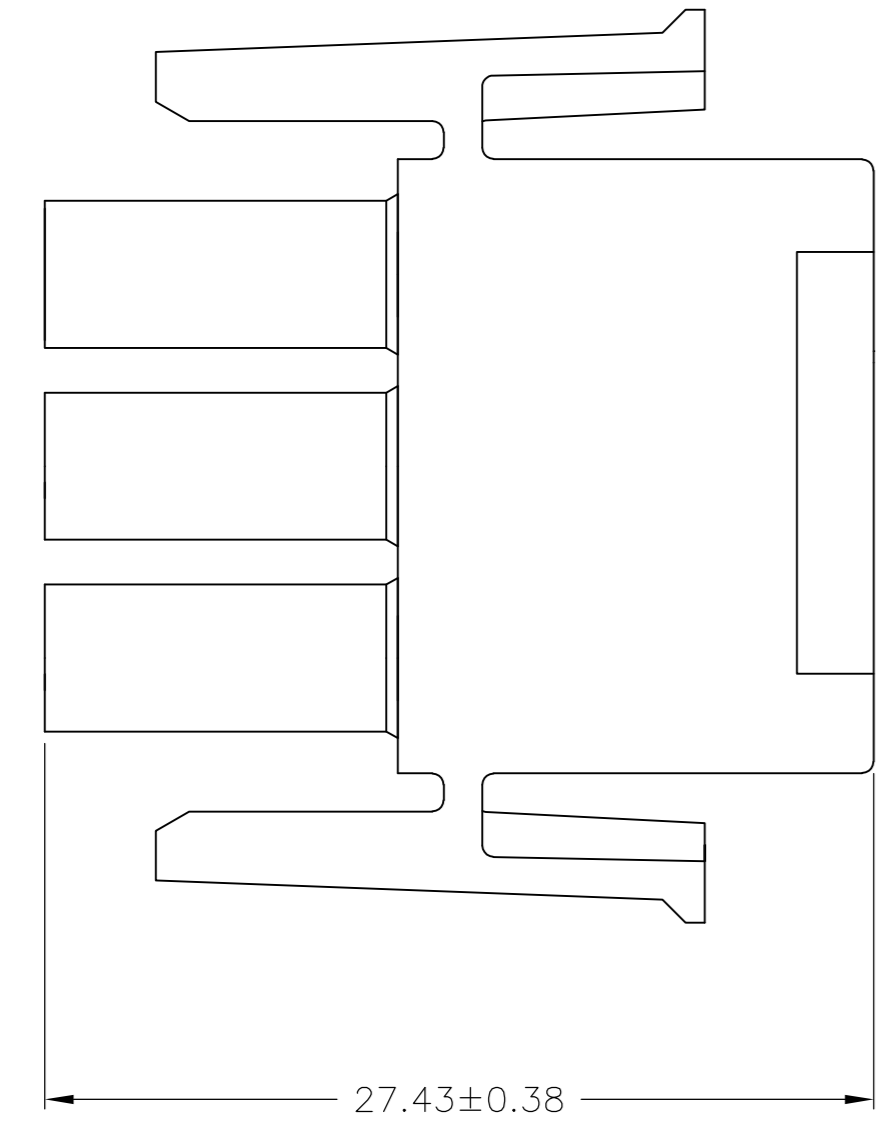
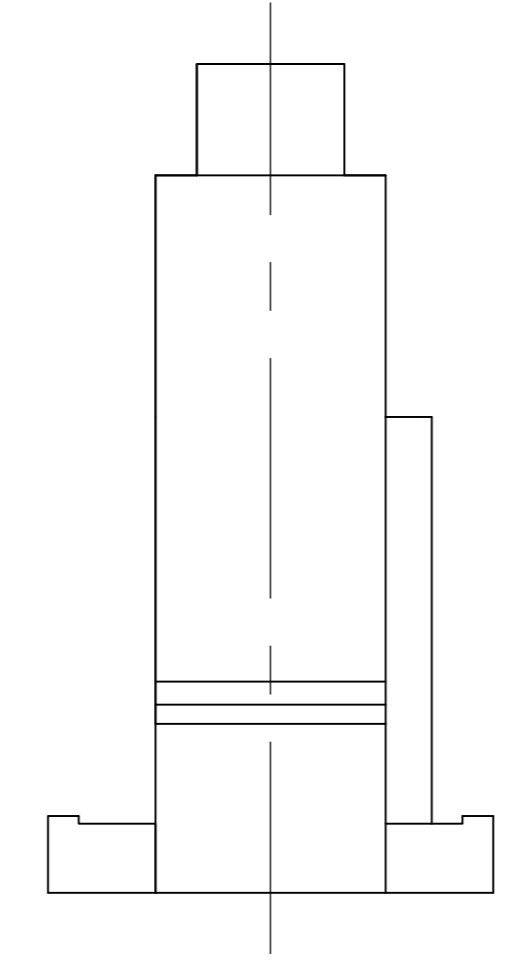
| MM | IN |
|-------|-------|
| 27.43 | 1.080 |
| 20.32 | .800 |
| 14.73 | .580 |
| 11.68 | .460 |
| 7.62 | .300 |
| 0.38 | .015 |
| 0.13 | .005 |
| MM | IN |

CONVERSION TABLE

THIS DRAWING IS A CONTROLLED DOCUMENT.

| | | | |
|--------------------------|--|----------------------|---|
| DIMENSIONS: | TOLERANCES UNLESS OTHERWISE SPECIFIED: | DIN R VESTAL 18JAN95 | NAME |
| mm | 0. PLC ± - | CHK R SWING 18JAN95 | PLUG, 3 CIRCUIT, UNIVERSAL MATE-N-LOK(TM) |
| | 1. PLC ± - | APP'D D SELF 18JAN95 | SIZE |
| | 2. PLC ± 0.13 | PRODUCT SPEC | A1 |
| | 3. PLC ± - | APPLICATION SPEC | 00779C=480700 |
| | 4. PLC ± - | WEIGHT | SCALE 4:1 |
| | ANGLES ± 0° 30' | CUSTOMER DRAWING | SHEET 1 OF 2 |
| MATERIAL NYLON, UL 94V-2 | FINISH - | RESTRICTED TO | REV AR1 |

METRIC



1. STAMP NUMBERS 3.18 HIGH AT WIRE END OF HOUSING (12 POINT DAVID TYPE).
2. CHARACTERS TO BE POSITIONED ON HOUSING TO BE READ FROM WIRE END ONLY.
3. VIOLET, BLACK, BROWN AND BLUE COLORED BLOCKS TO BE STAMPED WITH WHITE CHARACTERS. ALL OTHER COLORED BLOCKS TO BE STAMPED WITH BLACK CHARACTERS.

| | | | |
|------|------|-------|-------|
| 6.73 | .265 | - | - |
| 5.97 | .235 | 27.43 | 1.080 |
| 3.18 | .125 | 20.32 | .800 |
| 0.38 | .015 | 14.73 | .580 |
| 0.13 | .005 | 7.62 | .300 |
| MM | IN | MM | IN |

CONVERSION TABLE

| | |
|---------|-------------|
| NATURAL | 2-480700-0 |
| COLOR | PART NUMBER |

| | | | | |
|---|--|-----------------------------|---|--------------------|
| THIS DRAWING IS A CONTROLLED DOCUMENT. | | DWN R. VESTAL 18JAN95 | TE Connectivity | |
| DIMENSIONS: mm | | CHK R. SWING 18JAN95 | NAME PLUG, 3 CIRCUIT, UNIVERSAL MATE-N-LOK(TM) | |
| TOLERANCES UNLESS OTHERWISE SPECIFIED: 0 PLC ± - 1 PLC ± - 2 PLC ± 0.13 3 PLC ± - 4 PLC ± - ANGLES ± 0° 30' | | APVD D. SELF 18JAN95 | PRODUCT SPEC APPLICATION SPEC | |
| MATERIAL NYLON, UL 94V-2 | | FINISH - | SIZE A1 | CAGE CODE 00779 |
| WEIGHT - | | DRAWING NO 480700 | | RESTRICTED TO - |
| CUSTOMER DRAWING | | SCALE 4:1 | SHEET 2 | OF 2 |
| | | REV AR1 | | |

